



Product Specification

Product Name:

2.4G RFID Ear Tag

Model NO.:

ZR3158



Key Features:

- 1、Based on the technical advantages of its own 2.4G active products, Zhongrong Deigital has developed and designed a unique 2.4G active animal ear tag on the market. It solves the problems of short communication distance and low recognition rate of passive ear tags on the market. 2.4G animal ear tags can be better used in large pastures and farms.
- 2、The 2.4G RFID ear tag adopts a very good anti-collision algorithm, and the recognition rate is as high as 99%. The working communication distance with 2.4G Ultra-long Range Integrated Reader can reach 400 meters.
- 3、A globally unique ID number that cannot be changed. At the same time, laser engraving customers' own numbers are also accepted. The factory standard is ID + QR code.
- 4、The advantages of 2.4G IoT communication technology can provide strong support for subsequent expansion functions such as ear temperature recognition, motion recognition etc.
- 5、The drop rate is 3% and the weight is 10.3g, which is in line with the relevant standards of the Ministry of Agriculture of various countries for animal ear tags.
- 6、As the definer and advocate of 2.4G communication protocol, we pursue to use simpler host computer communication data to facilitate customers to do secondary development and system docking.

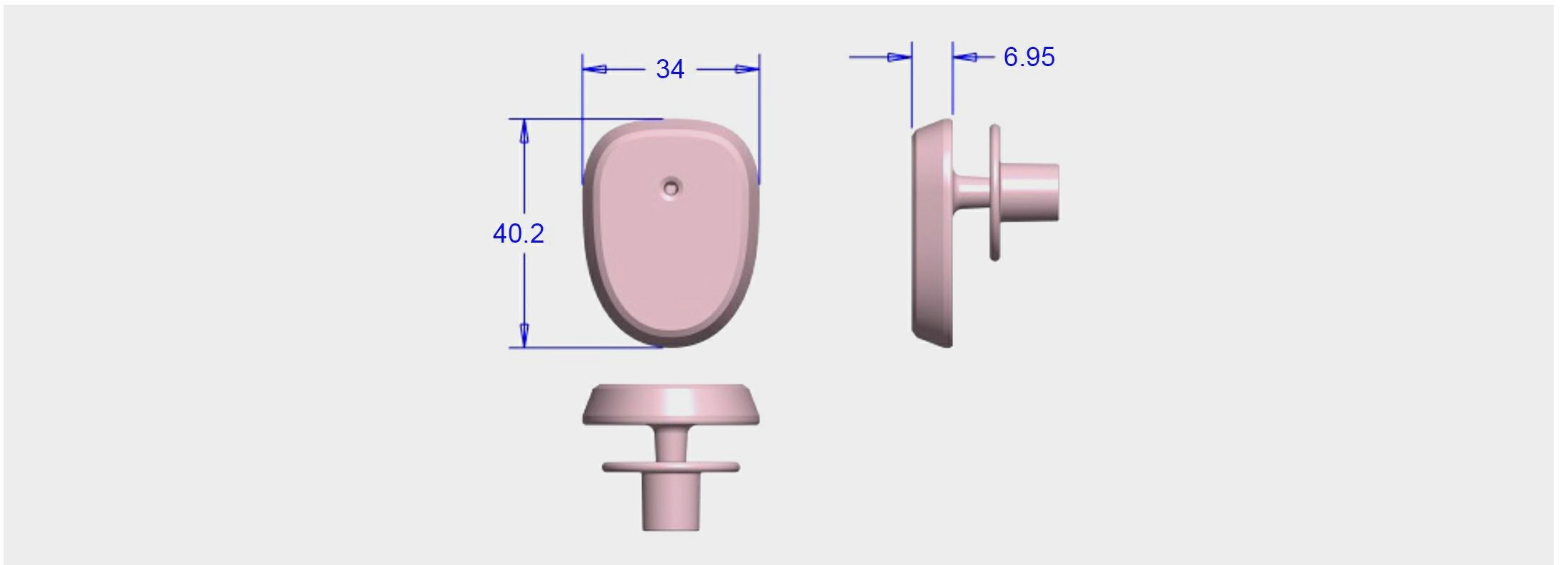
Parameters:

| Model No | ZR3158 |
|----------------------------------|---|
| Operation frequency | 2482MHz |
| Type | Beacon Type |
| Signal modulation | GFSK |
| Communication speed | 1Mbit/s |
| Inductive Mode | Initiative Transmit, Transmit Every 10s |
| Output power | 7dbm |
| Material | ABS, Heat Resistant |
| Dimension | 40.2*34*6.95mm |
| Life time | Battery Life Up to 18 months |
| Battery model | CR2032 |
| IP Grade | IP67 |
| Installation | Ear Piercing |
| Color | Flesh Color |
| Weight | 10.3g (Female 3g) |
| Unique ID | 15 digital ID in DEC, Lester Marking |
| Quiescent Current | <10uA |
| Peak Current | 20mA |
| Operating temperature | -20°C~+45°C |
| Operating humidity | 20%~95% |
| Storage humidity | 10%~98% |
| Temperature measurement range | -20°C~+60°C |
| Temperature measurement accuracy | ±0.3°C (32°C~45°C) ±0.5°C (others) |
| Temperature measurement method | Contact |
| Movement direction | X, Y, Z |
| Range | ±2g |
| Accuracy | ±8mg |
| Sampling frequency | 10Hz |

Company Name: Shenzhen Zhongrong Digital Technology Co., Ltd. Website: <http://www.xumu360.net> Email: sales@xumu360.net

Address: 1901, Gongxiang Building A, No. 78, Keyuan North Road, Songpingshan Community, Xili Street, Nanshan District, Shenzhen

Dimension:



Photos:

